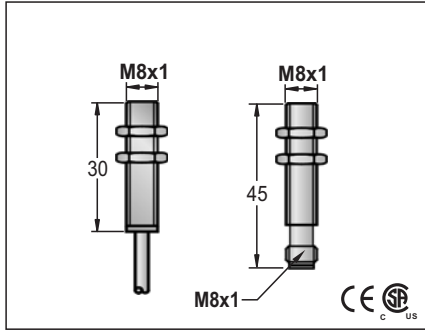


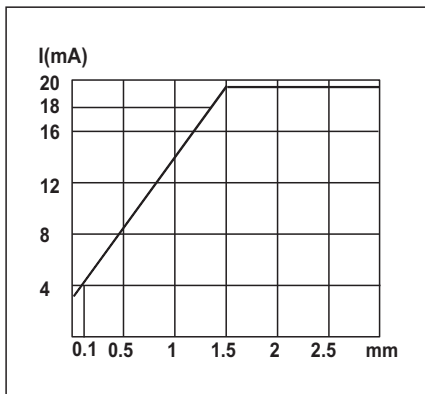
# M8、M12、M18

## INDUCTIVE CURRENT OUTPUT SHORT FORM ANALOG SENSOR

M8
●
0.1-1.5 mm
Nickel plated brass
○



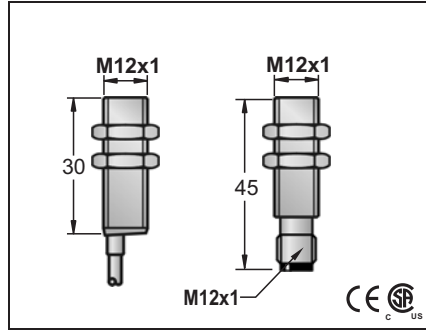
15-30VDC
≤15%
≤10.0mA
-
0-20mA/200 Ω Max.
<10%(Sr)
≤0.12mm
-10°C ~ +70°C
<5%(Sr)
YES
YES
IP67
0...10V
500Hz
≤1.0ms
RFI>3V/m / EFT>1KV / ESD>4KV (contact)
IEC 60947-5-2,Part 7.4.1 / IEC 60947-5-2,Part 7.4.2
PBT



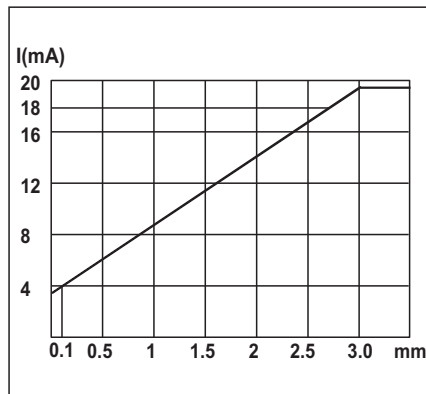
<del>FCM1-081.5G-I362</del>	19	<del>FCM1-081.5G-IGS3</del>	82

4 φ3x0.15	-
approx.142g	Approx.69g

M12
●
0.1-2.5 mm
Nickel plated brass
○



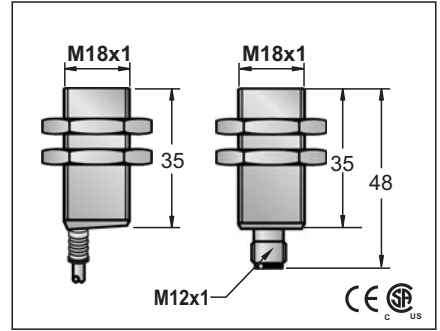
15-30VDC
≤15%
≤10.0mA
-
0-20mA/200 Ω Max.
<10%(Sr)
≤0.12mm
-10°C ~ +70°C
<5%(Sr)
YES
YES
IP67
0...10V
500Hz
≤1.0ms
RFI>3V/m / EFT>1KV / ESD>4KV (contact)
IEC 60947-5-2,Part 7.4.1 / IEC 60947-5-2,Part 7.4.2
PBT



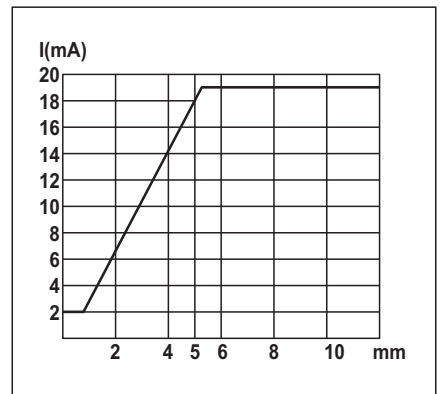
<del>FCM1-122.5G-I362</del>	19	<del>FCM1-122.5G-IRS4</del>	82

4 φ3x0.15	-
Approx.132g	

M18
●
1-5 mm
Nickel plated brass
○



15-30VDC
≤15%
≤10.0mA
-
0-20mA/200 Ω Max.
<10%(Sr)
≤0.12mm
-10°C ~ +70°C
<5%(Sr)
YES
YES
IP67
0...10V
500Hz
≤1.0ms
RFI>3V/m / EFT>1KV / ESD>4KV (contact)
IEC 60947-5-2,Part 7.4.1 / IEC 60947-5-2,Part 7.4.2
PBT



<del>FCM1-1805G-I362</del>	19	<del>FCM1-1805G-IRS4</del>	82

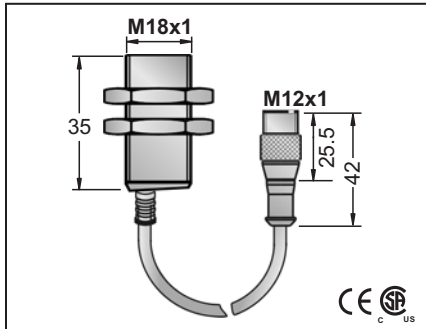
5.0 φ44x0.1	-
approx.142g	Approx.69g

INDUCTIVE CURRENT OUTPUT SHORT FORM ANALOG SENSOR

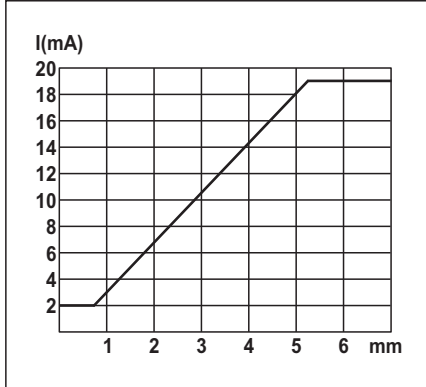
Note:  
In Preparation: Part numbers with a line through the middle

## INDUCTIVE CURRENT OUTPUT SHORT FORM ANALOG SENSOR

M 18
●
1-5 mm
Nickel plated brass
○



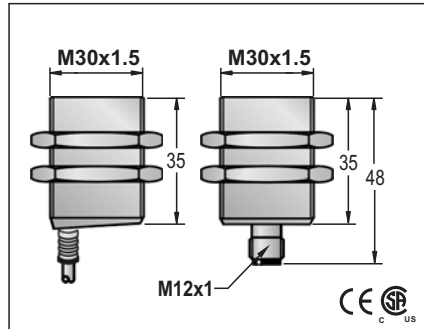
15-30VDC
≤15%
≤10.0mA
-
0-20mA/200 Ω Max.
<10%(Sr)
≤0.12mm
-10°C ~ +70°C
<5%(Sr)
YES
YES
IP67
0...10V
500Hz
≤1.0ms
RFI>3V/m / EFT>1KV / ESD>4KV (contact)
IEC 60947-5-2,Part 7.4.1 / IEC 60947-5-2,Part 7.4.2
PBT



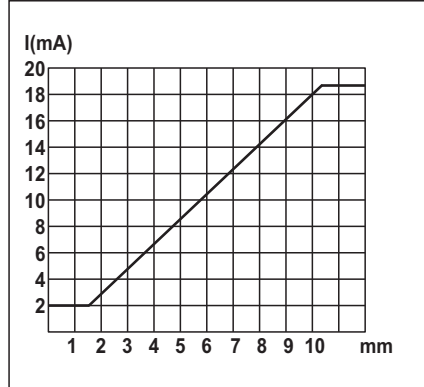
<u>FCM1-1805G-13S0.2/P12</u>	19

5.0 φ44x0.1
Approx.132g

M 30
●
2-10 mm
Nickel plated brass
○



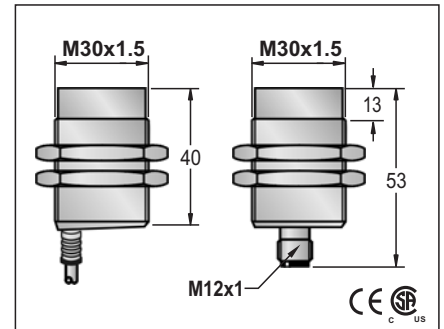
15-30VDC
≤15%
≤10.0mA
-
0-20mA/200 Ω Max.
<10%(Sr)
≤0.24mm
-10°C ~ +70°C
<5%(Sr)
YES
YES
IP67
0...10V
500Hz
≤1.0ms
RFI>3V/m / EFT>1KV / ESD>4KV (contact)
IEC 60947-5-2,Part 7.4.1 / IEC 60947-5-2,Part 7.4.2
PBT



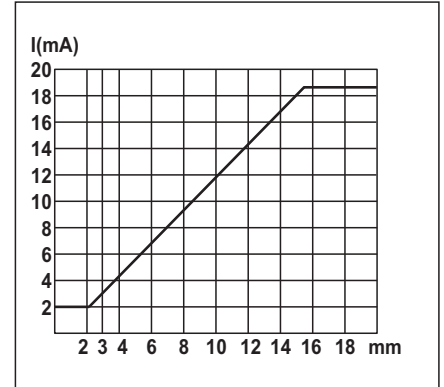
<u>FCM1-3010G-13S2</u>	19	<u>FCM1-3010G-IRS4</u>	82

5.8 φ4x0.5	-
Approx.180g	Approx.110g

M 30
○
3-15 mm
Nickel plated brass
○



15-30VDC
≤15%
≤10mA
-
0-20mA/200 Ω Max.
<10%(Sr)
≤0.24mm
-10°C ~ +70°C
<5%(Sr)
YES
YES
IP67
0...10V
500Hz
≤1.0ms
RFI>3V/m / EFT>1KV / ESD>4KV (contact)
IEC 60947-5-2,Part 7.4.1 / IEC 60947-5-2,Part 7.4.2
PBT



<u>FCM2-3015G-13S2</u>	19	<u>FCM2-3015G-IRS4</u>	82

5.8 φ4x0.5	-
Approx.217g	Approx.207g

Note:

Coming Soon : Part numbers with underline  
In Preparation: Part numbers with a line through the middle